

FEATURES

- Adjustable ranges
- Bellow & Piston operated

APPLICATION

- Over-pressure protection for pressure gauges and pressure switches.
If pressure accidentally exceeds the maximum allowed value, the sealing system closes automatically until the pressure value is back to normal

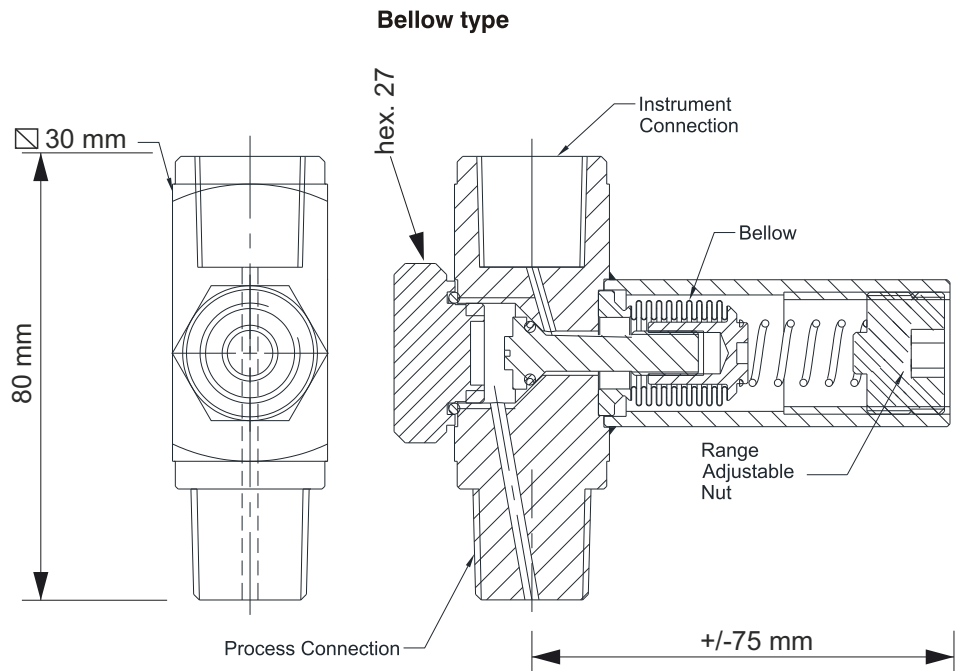
Bellow / Piston



STANDARD SPECIFICATIONS

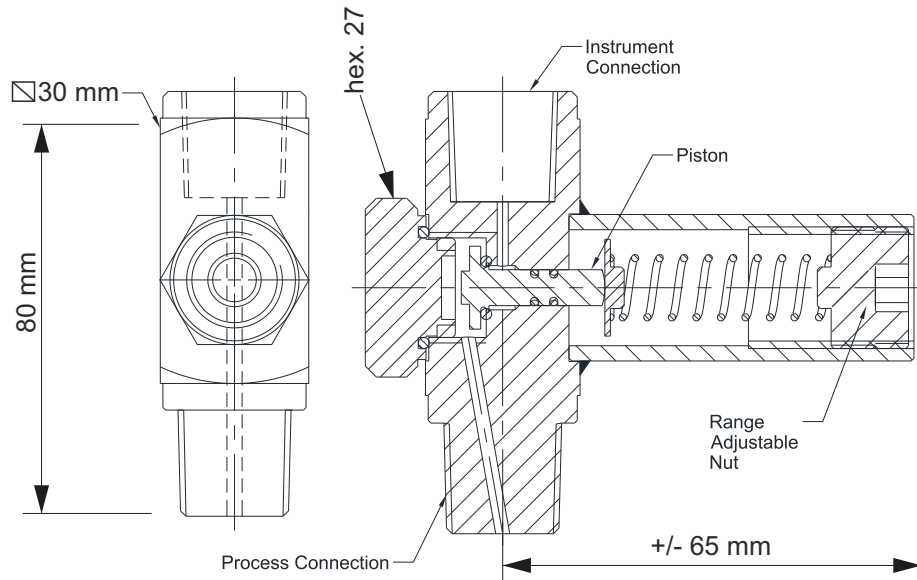
Type	: Bellow (0,2 to 4 bar) - Piston (> 4 to 600 bar)
Material	: AISI 316 SS
Instrument connection	: 1/2" NPT (F) / 1/2" BSP (F)
Process connection	: 1/2" NPT (M) / 1/2" BSP (M)
Gaskets / Seals	: Viton
Operating temperature	: 200°C
Setting range	: see table

DIMENSIONAL DRAWING



DIMENSIONAL DRAWING

Piston type



SETTING RANGE (to be mentioned in order)

0,2.....1 bar	3.....15 psi
1.....4 bar	15.....60 psi
5.....16 bar	70.....230 psi
10.....40 bar	150.....580 psi
30.....80 bar	430.....1160 psi
50.....160 bar	725.....2300 psi
100.....400 bar	1450.....5800 psi

ORDERING CODES

1. TYPE

- 1A** Pattern 1A (0,2 0,6 bar)
- 1B** Pattern 1B (1 4 bar)
- 2A** Pattern 2A (6 10 bar)
- 2B** Pattern 2B (16 600 bar)

2. MATERIAL

- MF** AISI 316 SS
- MG** AISI 316L SS
- MM** Alloy 400 (Monel) ¹
- MO** Hastelloy C276 ¹

1A

3. CONNECTION

- 02N x 12N** 1/4" NPT (F) x 1/4" NPT (M)
- 02B x 12B** 1/4" BSP (F) x 1/4" BSP (M)
- 03N x 13N** 3/8" NPT (F) x 3/8" NPT (M)
- 03B x 13B** 3/8" BSP (F) x 3/8" BSP (M)
- 04N x 14N** 1/2" NPT (F) x 1/2" NPT (M)
- 04B x 14B** 1/2" BSP (F) x 1/2" BSP (M)
- 04M x 14M** M20 x 1.5 mm (F) x M20 x 1.5 mm (M)

04N x 14N

MF

4. OTHER OPTIONS

- TC** Material test certificate 3.1
- TN** Tested to NACE standards
- TO** Certification for O₂ service
- TF** PMI Test
- TG** IGC Test

TC

Ordering example : **A202 1A MF 04N x 14N TC**

Note

1 - In bellow type execution, exotic material available for body only