

FEATURES

- Economical and light weight
- All welded construction
- Laser welded diaphragm

APPLICATION

- Separation systems
- Isolation applications
- Viscous & corrosive media
- High-pressure applications
- High vibration application

Heavy Duty Mini Seal

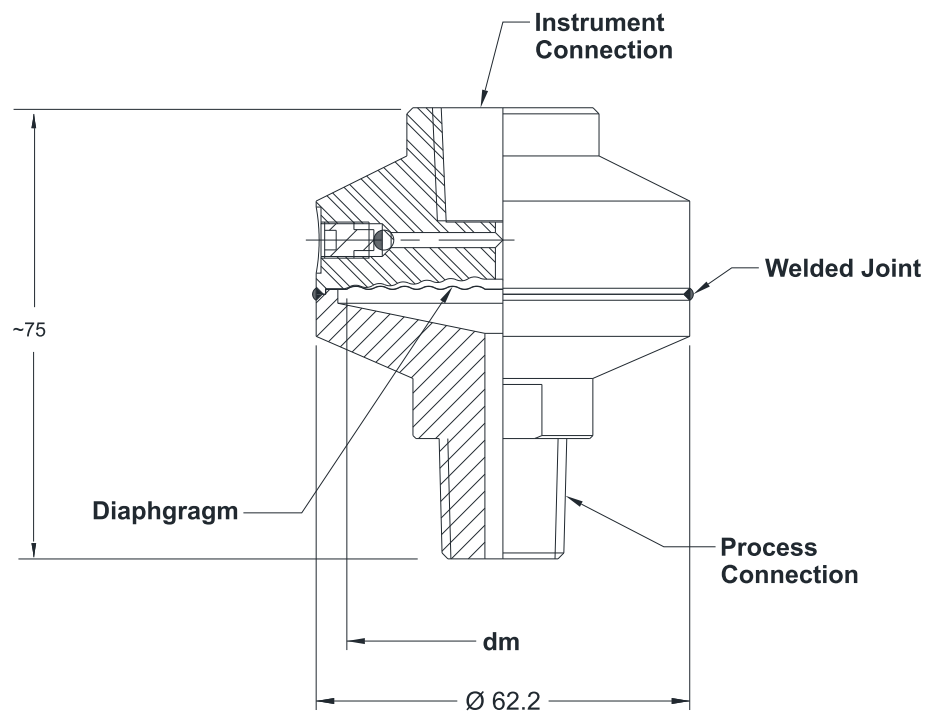


STANDARD SPECIFICATIONS

Range type	: -1/0 to 0/600 bar
Top Chamber material	: AISI 304 SS
Bottom Chamber material	: AISI 316 SS
Diaphragm	: AISI 316 LSS
Instrument connection	: 1/2" NPT (F) / 1/2" BSP (F)
Sealing fluid	: Silicon DC 200 (-40...205°C)
Process connection	: 1/2"NPT (M) / 1/2" BSP (M)
Assembly	: Direct or remote

DIMENSIONAL DRAWING

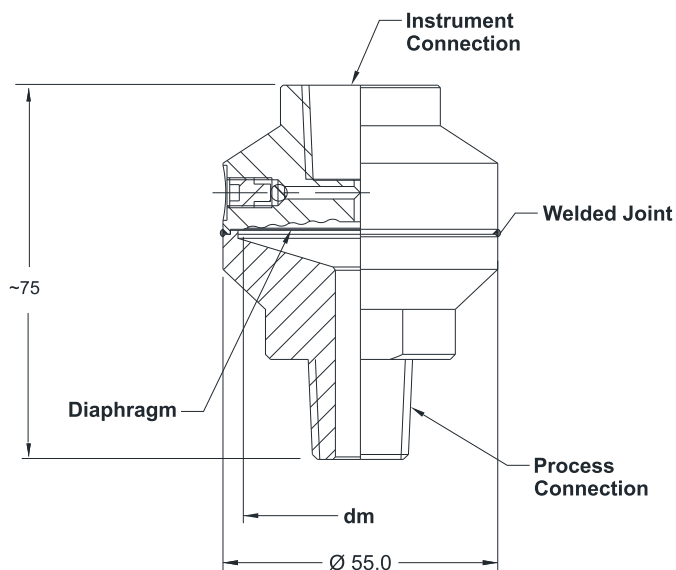
Type S11



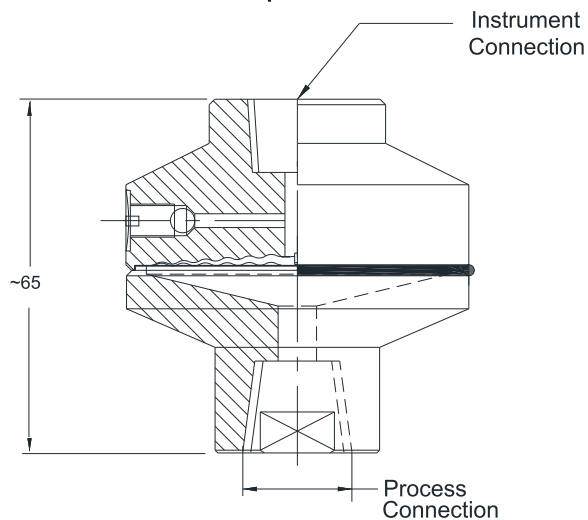
All dimensions are in mm.

DIMENSIONAL DRAWING

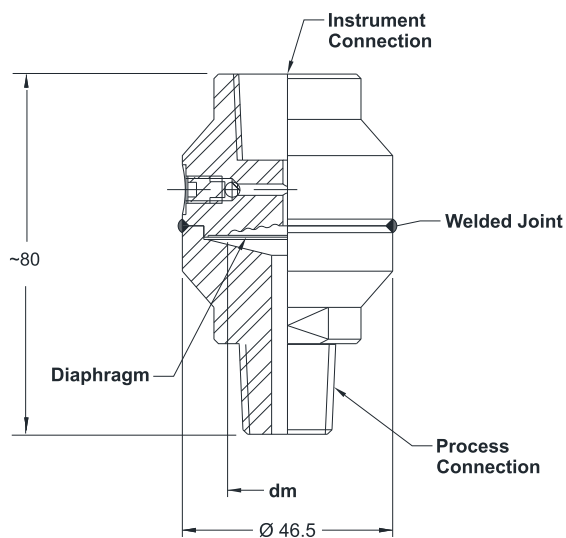
Type S12



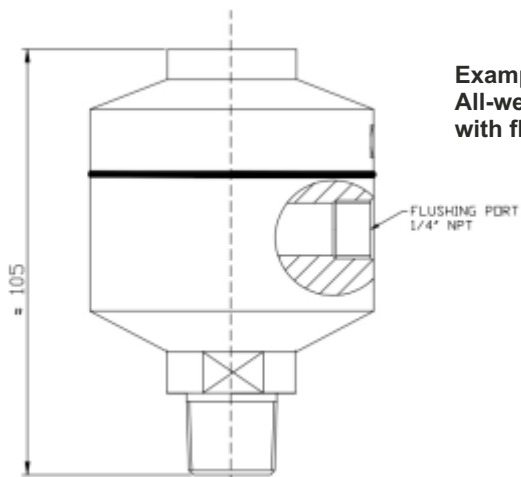
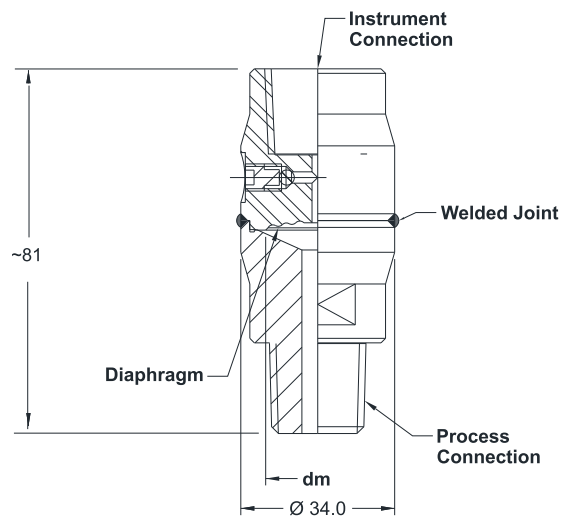
Example for female process connection



Type S13



Type S14



Example of All-welded compact seal with flushing port

ORDERING CODES

1. RANGE TYPE

- S11** -1/0 bar to 0/60 bar
- S12** 0/4 bar to 0/60 bar
- S13** 0/100 bar to 0/250 bar
- S14** 280...600 bar

S11

2. TOP CHAMBER MATERIAL

- LC** AISI 304 SS **LF** AISI 316 SS

3. BOTTOM CHAMBER MATERIAL

- NF** AISI 316 SS **NG** AISI 316L SS
- NM** Monel 400 **NO** Hastelloy C-276
- NV** Titanium **NQ** Inconel 625

LC

4. DIAPHRAGM MATERIAL

- DG** AISI 316L SS **DO** Hastelloy C-276
- DV** Titanium **DQ**
- DM** Monel 400
- DW** Tantalum

DG

5. INSTRUMENT CONNECTION

- 03B** 3/8" BSP (F) **04N** 1/2" NPT (F)
- 02B** 1/4" BSP (F) **04B** 1/2" BSP (F)
- 02N** 1/4" NPT (F) **03N** 3/8" NPT (F)

04N

* Not applicable for E8 option

6. SEALING FLUID

- OA** Silicon DC 200 [-40°C to 200°C]
- OF** Food grade oil [-20°C to 140°C]
- OI** Syltherm 800 [-40°C to 380°C]
- OL** Silicon DC 710 [0°C to 250°C]
- OG** HT 270 [25°C to 240°C]

OA

7. PROCESS CONNECTION

- 12B** 1/4" BSP (M) **13B** 3/8" BSP (M)
- 14B** 1/2" BSP (M) **12N** 1/4" NPT (M)
- 14N** 1/2" NPT (M) **14M** M20 x 1.5 (M)
- 02N** 1/4" NPT (F) **04N** 1/2" NPT (F)
- 02B** 1/4" BSP (F) **04B** 1/2" BSP (F)
- 03B** 3/8" BSP (F)

14N

8. ASSEMBLY

- B8** Direct
- B9** Remote (capillary)

B8

9. CAPILLARY

- OU** AISI 304 SS **OV** AISI 316 SS

XX

10. ARMOUR

- OX** AISI 304 SS **OY** AISI 316 SS
- OZ** PVC (Ambient max. 60°C)

XX

11. REMOTE MOUNTING LENGTH

- XXXX** 1000 mm up to 4000 mm

XXXX

12. OTHER OPTIONS

- XZ** Dry seal
- HL** Helium leak test
- TC** Material test certificate 3.1
- FP** Flushing port in bottom chamber
- TN** Tested to NACE Standard
- TQ** Hydrogen service (Consult factory)
- TF** PMI Test

XX

Ordering Example : D103-S11-LC-DG-04N-OA-14N-B8

NOTES:

1. Other sealing liquids are available, contact factory for further details.
2. Remote mounting applicable in range type S11, S12 & S13.
3. All metal diaphragms are laser welded to the Top Chamber.