

FEATURES

- Quick connect/disconnect
- Laser welded flush diaphragm
- DIN, SMS, RJT & IDF / ISS connections

APPLICATION

- Food & beverages industries
- Dairy & Ice cream industries
- Pharmaceuticals & cosmetics

Flush, Threaded

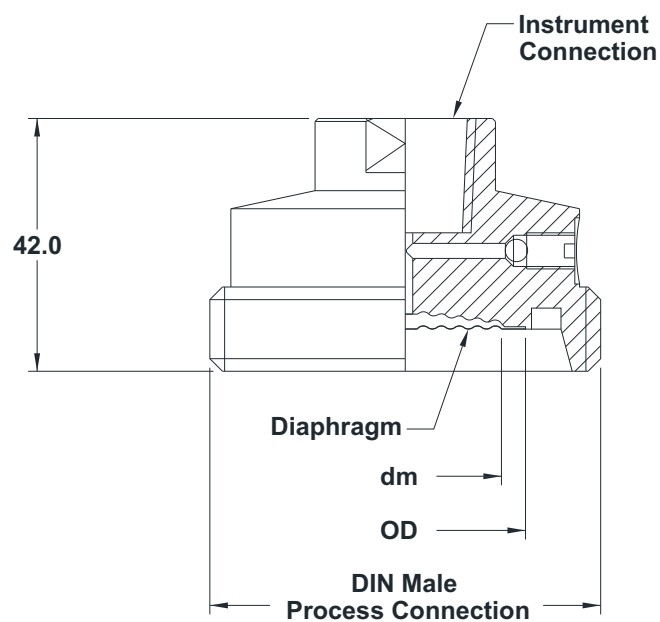


STANDARD SPECIFICATIONS

Range type	: 1...40 bar
Chamber material	: AISI 316 SS
Diaphragm	: AISI 316L SS
Instrument connection	: 1/2" NPT (F) / 1/2" BSP (F)
Sealing fluid	: Food Grade oil [-20°C to 140°C]
Process connection	: Male thread (DIN 11851 / SMS / RJT/APV / IDF/ISS)
Assembly	: Direct

DIMENSIONAL DRAWING

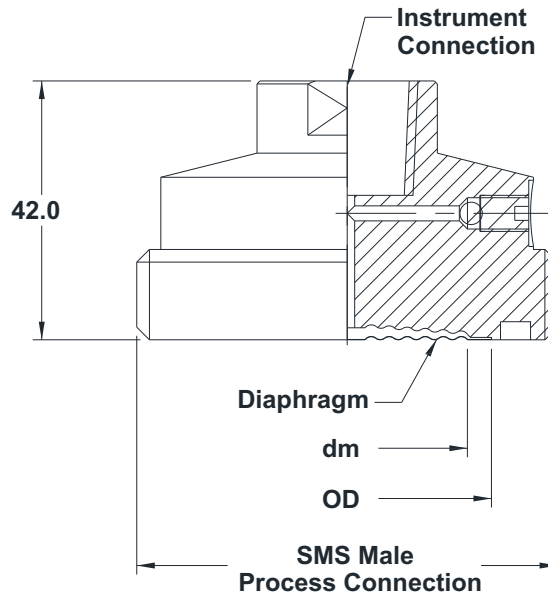
STANDARD : DIN 11851



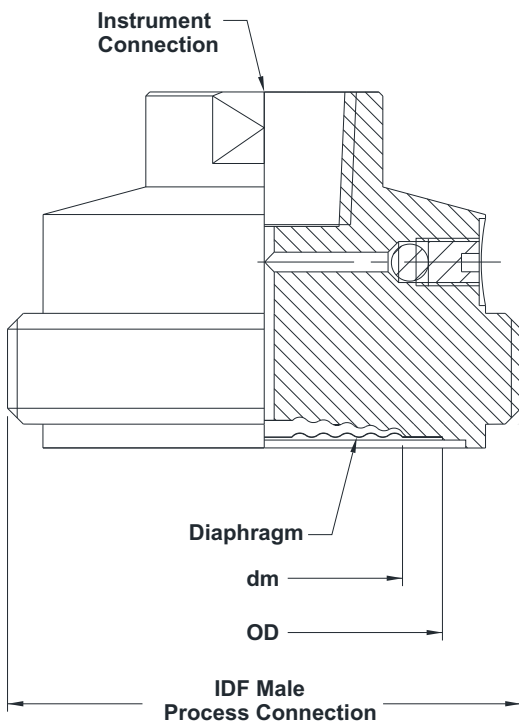
All dimensions are in mm.

DIMENSIONAL DRAWING

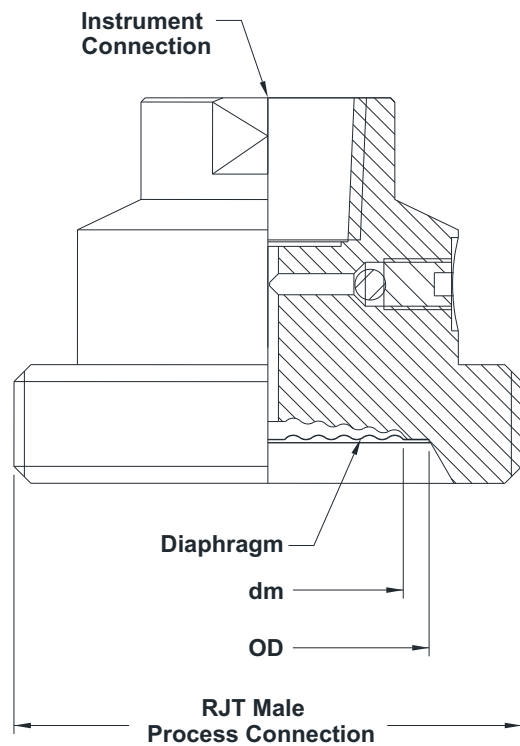
STANDARD : SMS



STANDARD : RJT / APV



STANDARD : IDF / ISS



All dimensions are in mm.

ORDERING CODES

1. RANGE TYPE

- S36** 1...25 bar
 - S37** 1...40 bar
- Refer range vs connection size table

S37

2. STANDARD TYPE

- T40** DIN 11851
- T41** SMS
- T42** RTJ / APV
- T43** IDF / ISS

T40

3. CHAMBER MATERIAL

- LF** AISI 316 SS
- LG** AISI 316L SS

LF

4. DIAPHRAGM MATERIAL

- DG** AISI 316L SS

DG

5. INSTRUMENT CONNECTION

- 03B** 3/8" BSP (F)
- 04N** 1/2" NPT (F)
- 02B** 1/4" BSP (F)
- 04B** 1/2" BSP (F)
- 02N** 1/4" NPT (F)

04N

6. SEALING FLUID

- OF** Food grade oil [-20°C to 140°C]

OG

7. PROCESS CONNECTION (MALE THREAD)

- T01** 1" Connection (DN25)
- T14** 1 1/4" Connection (DN32)
- T15** 1 1/2" Connection (Dn40)
- T02** 2" Connection (Dn50)
- T25** 2 1/2" Connection (DN63)
- T03** 3" Connection (DN80)

T15

8. ASSEMBLY

- B8** Direct
- B9** Remote (capillary)

B8

9. CAPILLARY

- OU** AISI 304 SS
- OV** AISI 316 SS

XX

10. ARMOUR

- OX** AISI 304 SS
- OY** AISI 316 SS
- OZ** PVC (Ambient max. 60°C)

XX

11. REMOTE MOUNTING LENGTH

- XXXX** 1000 mm up to 4000 mm

XXXX

12. OTHER OPTIONS

- XZ** Dry seal
- HL** Helium leak test
- TM** Material test certificate 2.2
- TC** Material test certificate 3.1

XX

Ordering Example : D303-S37-T40-LF-DG-04N-OG-T15-B8

CONNECTION SIZE Vs RANGE CHART

DIN	Size	25	32	40	50	80
	"Diaphragm Size (OD/ED) in "mm"	35/25	38/32	48/40	59/52	80/72
	Range (bar)	0...4 to 0...40	0...2 to 0...40	0...1 to 0...40	0...1 to 0...40	-1...0 to 0...40
SMS	Size	1"	1 1/2"	2"		
	"Diaphragm Size (OD/ED) in "mm"	30/23	45/36	58/51		
	Range (bar)	0...4 to 0...40	0...2 to 0...40	0...1 to 0...40		

NOTES:

- 1. All metal diaphragms are laser welded to the Top Chamber.