

## FEATURES

- Floating ring design
- Laser welded flush diaphragm
- Anti-vibration connectors

## APPLICATION

- Paper & Pulp industries
- Isolation applications

### Floating Ring

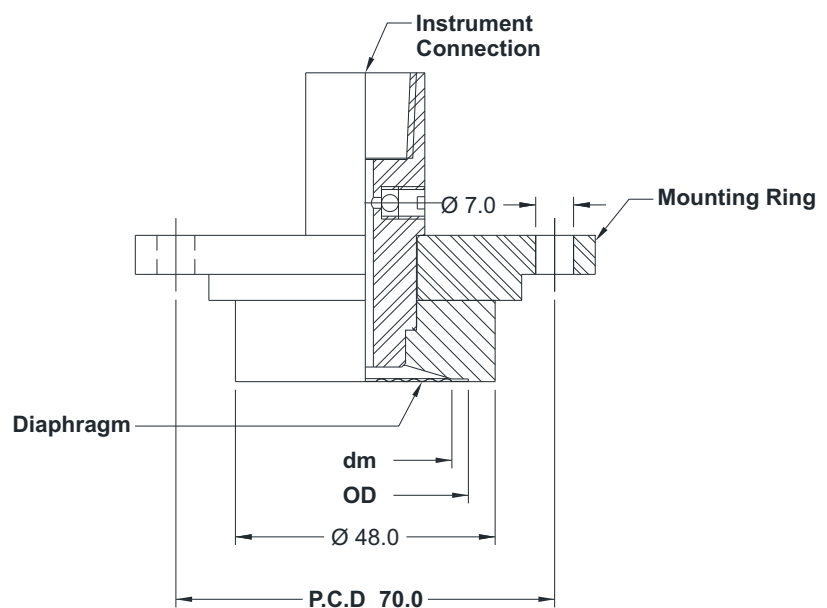


### STANDARD SPECIFICATIONS

|                         |                                 |
|-------------------------|---------------------------------|
| Range type              | : 4...40 bar                    |
| Chamber & floating ring | : AISI 316 SS                   |
| Diaphragm               | : AISI 316L SS                  |
| Gaskets                 | : PTFE                          |
| Instrument connection   | : 1/2" NPT (F) / 1/2" BSP (F)   |
| Sealing fluid           | : Silicon DC 20 0 (-40...205°C) |
| Process connection      | : Floating ring                 |
| Assembly                | : Direct                        |

### DIMENSIONAL DRAWING

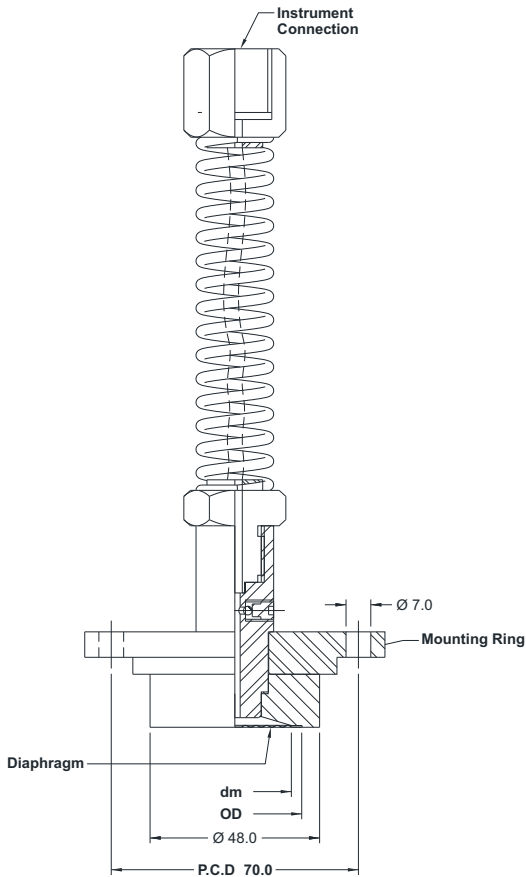
#### ASSEMBLY : B8



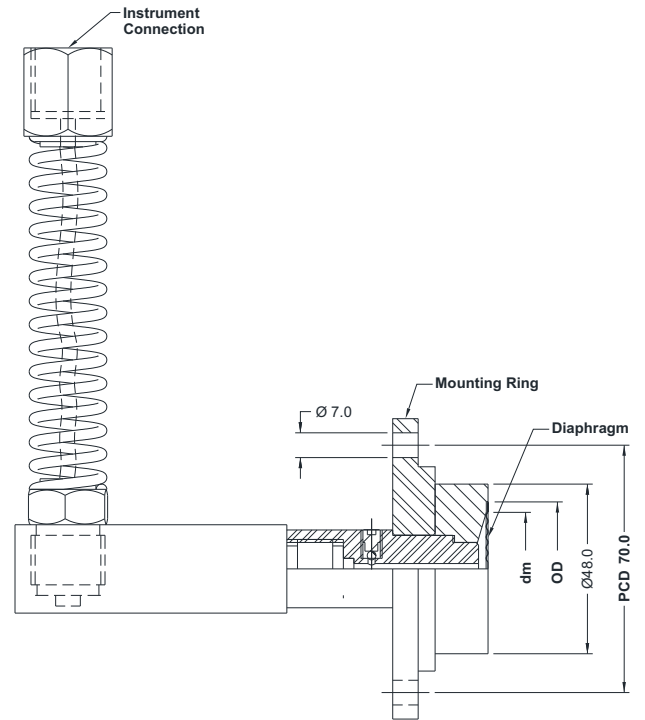
All dimensions are in mm.

## DIMENSIONAL DRAWING

**ASSEMBLY : B4**



**ASSEMBLY : B5**



All dimensions are in mm.

### ORDERING CODES

#### 1. RANGE TYPE

**S41** 4...40 bar

**S41**

#### 2. CHAMBER MATERIAL

**LF** AISI 316 SS

**LG** AISI 316L SS

**LF**

#### 3. DIAPHRAGM MATERIAL

**DG** AISI 316L SS

**DG**

#### 4. INSTRUMENT CONNECTION

**03B** 3/8" BSP (F)

**04N** 1/2" NPT (F)

**02B** 1/4" BSP (F)

**04B** 1/2" BSP (F)

**02N** 1/4" NPT (F)

**04N**

#### 5. SEALING FLUID

**OA** Silicon DC 200 [-40°C to 205°C]

**OF** Food grade oil [-20°C to 140°C]

**OA**

#### 6. ASSEMBLY

**B4** Anti vibration spring - Straight

**B5** Anti vibration spring - 90° Angular

**B8** Direct

**B8**

#### 7. OTHER OPTIONS

**XZ** Dry seal

**HL** Helium leak test

**TM** Material test certificate 2.2

**TC** Material test certificate 3.1

**XX**

**Ordering Example : D401-S41-LF-DG-B4-04N-OA-B8**

#### NOTES:

1. All metal diaphragms are laser welded to the Top Chamber.