

APPROVALS



FEATURES

- All SS measuring system
- Shank-case direct welded for rigid construction
- Fillable / liquid filled
- NBR rubber parts
- CE Marking

APPLICATION

- Oil & Gas applications
- Chemical & Petrochemical
- Food & Beverages
- Nuclear power plants

Bourdon tube element
all stainless steel construction



EN 837-1

STANDARD PARAMETERS

Accuracy	: CL 1.0
Ambient temperature	: -40...+ 65°C [dry or silicon oil dampening filling] : -20...+65°C [with dampening liquid, glycerine]
Service temperature	: - 40...+200 °C [without dampening filling] : - 40...+100 [with dampening filling, silicon oil] : - 20...+100 [with dampening filling, glycerin]
Pressure limits	: Steady pressure up to FS value : Fluctuating pressure up to 90% of FS value : Short time 130% of FS value [≤ 100 bar] : Short time 115% of FS value [> 100 bar ≤ 600 bar] : Short time 110% of FS value [> 600 bar ≤ 1600 bar]

MATERIAL OF CONSTRUCTION

Sensing element	: Bourdon tube
Case & Ring material	: AISI 304 SS [Bayonet type]
Bourdon tube & Shank	: AISI 316L SS [Shank welded directly to case]
Movement mechanism	: AISI 304 SS
Dial	: Aluminum, black graduation on white background
Pointer	: Micro-zero adjustable, aluminum, black powder coated
Gaskets, Blow off disc & filling plug	: NBR
Window	: Toughened Glass / Shatterproof safety glass

STANDARD SPECIFICATIONS

Dial size	: DN100 / DN125 / DN150 / DN250
Range	: -1...0...1600 bar
Mounting pattern	: Direct, Bottom connection
Process connection	: 1/2" NPT (M) / 1/2" BSP (M)
Ingress protection	: IP 65
Execution	: Dry but fillable

STANDARD SPECIFICATIONS : FILLED VERSION

Window	: Toughened Glass/Shatter Proof Safety Glass
Dampening liquid	: Glycerine [Service temperature up to 65°C] Silicon oil (service temperature up to 100°C)

TEMPERATURE EFFECT

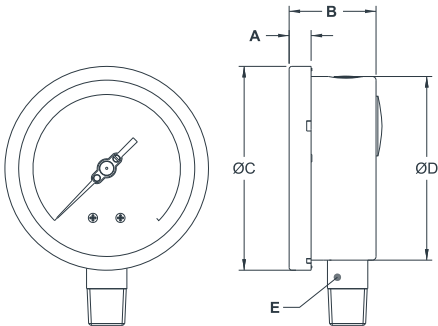
The variation of indication caused by effects of temperature is to be calculated as per the below formula; which is to be added in the specified accuracy while measurement :-

$$\text{Formula: } \pm 0.04 \times (t_2 - t_1) \% \text{ of Full Scale Value}$$

Where t_1 = reference temperature (+20°C) & t_2 = ambient temperature in °C.

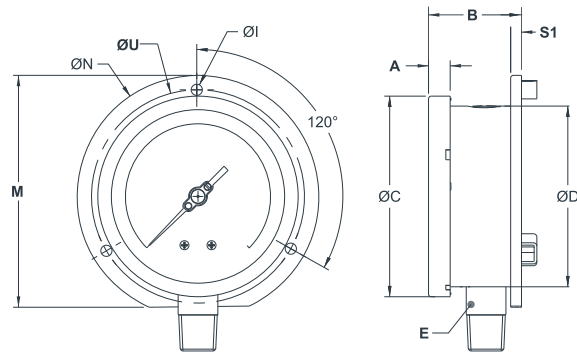
DIMENSIONAL DRAWING

Type B0



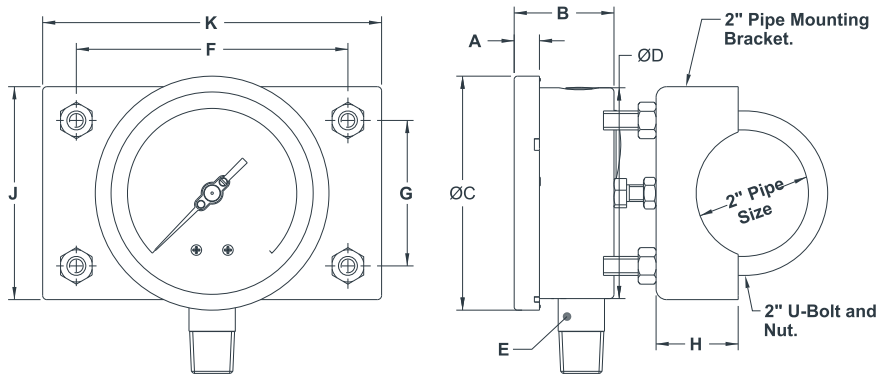
DN	A	B	ØC	ØD	E	Weight (grams)
100	12	48	111	100	SQ.22	506
125	15	48	129	118.5	SQ.22	694
150	15	48	161	149	SQ.22	900
250	19	52	263	250	SQ.22	2100

Type B1



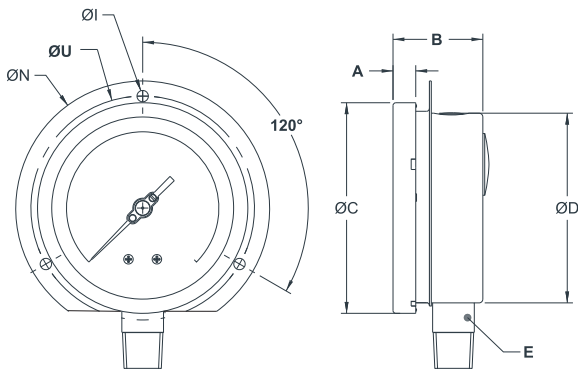
DN	A	B	ØC	ØD	E	ØI	M	ØN	S1	ØU	Weight (grams)
100	12	52	111	100	SQ.22	6	128	134	6	118	613
125	15	50	129	118.5	SQ.22	6	143.5	150	4	137	796
150	15	51	161	149	SQ.22	6	172.4	186	6	168	1080
250	19	54	263	250	SQ.22	7	286.5	290	1.5	276	2448

Type B2



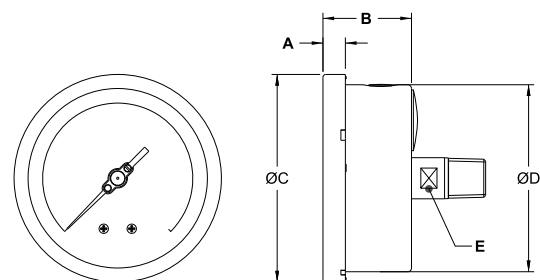
DN	A	B	ØC	ØD	E	F	G	H	J	K	Weight (grams)
100	12	48	111	100	SQ.22	129	69	39	101	161	1580
150	15	48	161	149	SQ.22	129	69	39	101	161	1974

Type B3



DN	A	B	ØC	ØD	E	ØI	ØN	ØU	Weight (grams)
100	12	48	111	100	SQ.22	6	134	118	580
150	15	48	161	149	SQ.22	6	186	168	2433

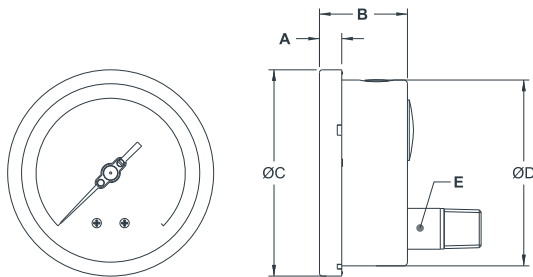
Type R0



DN	A	B	ØC	ØD	E	Weight (grams)
100	12	48	111	100	A/F 17	506
150	15	48	161	149	A/F 17	2100

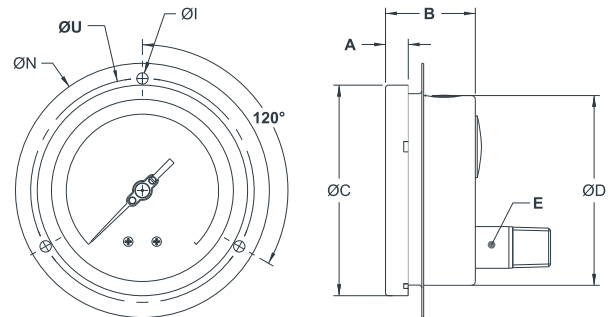
DIMENSIONAL DRAWING

Type L0



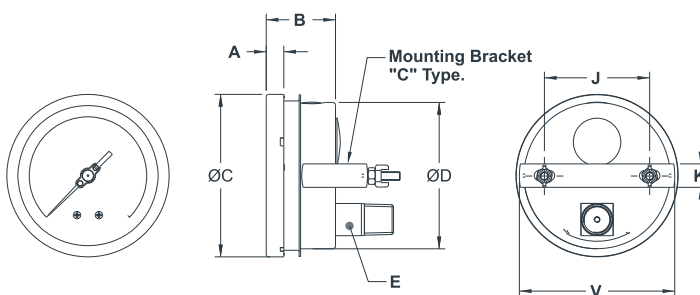
DN	A	B	ØC	ØD	E	Weight (grams)
100	12	48	111	100	SQ.22	506
125	15	48	129	118.5	SQ.22	694
150	15	48	161	149	SQ.22	900
250	19	52	263	250	SQ.22	2100

Type L1



DN	A	B	ØC	ØD	E	ØI	ØN	ØU	Weight (grams)
100	12	48	111	100	SQ.22	6	134	118	580
125	15	48	129	118.5	SQ.22	6	150	137	770
150	15	48	161	149	SQ.22	6	186	168	1016
250	19	52	263	250	SQ.22	7	290	276	2433

Type L2



DN	A	B	ØC	ØD	E	J	K	V	Weight (grams)
100	12	48	111	100	SQ.22	72	16	108	595
125	15	48	129	118.5	SQ.22	75	15	125	790
150	15	48	161	149	SQ.22	106.5	16	158.5	1066
250	19	52	263	250	SQ.22	180	30	270	2310

RANGE TABLE FOR HIGH OVER-PRESSURE PROTECTION [OPTION: OS] (For Short Duration)

RANGE "bar"	OVER-PRESSURE "bar"
0...1	4
0...1.6	6
0...2.5	10
0...4	16
0...6	24
0...10	40
0...16	48
0...25	75
0...40	80
0...60	120
0...100	200
0...160	320
0...250	500
0...400	800
0...600	1200

Drawings are not to Scale, all dimensions are in mm.
The weight mentioned are approximate and of standard version. Consult ITEC for other executions.

NOTE
For other 'unit of measurements' and scales refer RANGE TABLE

DAMPENED MOVEMENT [OPTION : GM]



It has been noticed that in applications where heavy vibration and pulsation is present, a dry gauge is not preferred due to the reduced life span and pointer fluttering.

The conventional option is a liquid filled gauge. But some of the filling option like Halocarbon oil is quite costly.

Solution! Use a dampened movement in the gauges. The movement utilize a DERLIN® tip Rack with jelly filled dashpot dampening for Rack & Pinion shafts which will reduce the effect of the pointer jerking due to the vibrations and pulsations. In effect avoid the use of a dampening liquid. This will nullify the leakage problem regularly associated with the filled gauges.

Additionally, comparing to the dry gauge the life span of the instrument will increase. The dampened movement also eliminate the environmental issues of the dampening liquid at the time of product disposal.

ITEC offer the DAMPENED MOVEMENT [GM] option in many premium models, such as P101, P102, P104, P201, P202 & P204.

RANGE TABLE

GUIDE TO MAKE RANGE CODE

1. While selecting the dual scales (bar/psi), primary scale bar in "BLACK" and secondary scale psi in "RED" color.
2. **Approximate unit conversion;** 1 bar = 1.019 kg/cm² = 14.503 psi = 100 kPa = 750.061 mmHg = 1000 mbar = 10197 mmWC
3. **Equivalent scales** are available in UOMs like mbar, mmWC, Inch WC, kPa/psi or custom dial design, contact ITEC.

UOM : SINGLE SCALE			UOM : DUAL SCALE	
UOM	UOM	UOM	UOM	UOM
bar	kg/cm ²	Mpa	bar/psi	kg/cm ² /psi
psi	mmHg		psi/bar	psi/kg/cm ²
kPa	Inch Hg		bar/kPa	

STANDARD RANGES AVAILABLE IN (bar & kg/cm²)

RANGE	RANGE	RANGE	RANGE	RANGE
0...0.6	0...6	0...28	0...160	0...400
0...1	0...7	0...35	0...200	0...600
0...1.6	0...10	0...40	0...250	0...700
0...2	0...14	0...60	0...280	0...1000
0...2.5	0...16	0...70	0...350	0...1600
0...3.5	0...20	0...100		
0...4	0...25	0...140		

* Higher Ranges available on Request

SINGLE SCALE RANGES : VACUUM & COMPOUND

VACUUM	VACUUM	"bar"	"bar"	"bar"
-1bar...0	-30 Inch Hg...0	-1...0.6	-1...3	-1...15
-1kg/cm ² ...0	-100kPa...0	-1...1	-1...5	-1...20
-760 mmHg...0	-15psi...0	-1...1.6	-1...9	-1...24
				-1...39

DUAL SCALE RANGES : COMPOUND (Vacuum Side mmHg/ 11Hg, Positive Side - kg/cm²/psi)

"kg/cm ² "	"kg/cm ² "	"kg/cm ² "	"kg/cm ² "
-760mmHg...0.6	-760mmHg...2.5	-760mmHg...10	-760mmHg...24
-760mmHg...1	-760mmHg...4	-760mmHg...15	-760mmHg...39
-760mmHg...2	-760mmHg...7	-760mmHg...21	

RANGE : FREON, AMMONIA & RECEIVER RANGES (in dual scale)

FREON RANGES with temperature scale

-30 °Hg...0...150 psi
-30 °Hg...0...300 psi
0...300 psi
0...500 psi

Freon range temperature scale as per refrigerant gas

AMMONIA RANGES with temperature scale

-30 °Hg...0...150 psi
-30 °Hg...0...300 psi
0...300 psi
-1...0...12.5 kg/cm²
-1...0...16 kg/cm²
-1...0...25 kg/cm²

Supplied with Temperature scale R717/NH3.

RECEIVER RANGES

0..100% Linear / 0.2...1 kg/cm²
0..100% Linear / 3...15 psi
0...10 sq. Rt / 0.2...1 kg/cm²
0...10 sq. Rt / 3...15 psi

ORDERING CODES

1. DIAL SIZE

04	100 mm / 4"
05	125 mm / 5"
06	150 mm / 6"
10	250 mm / 10"

04

2. RANGE

XXXX Refer "Range Table"

XXXX

3. MOUNTING PATTERN

B0	Direct, Bottom connection
B1	Wall/Surface/Projection mounting, Bottom connection
B2	2" pipe bracket, bottom connection
B3	Panel Front flange mounting, Bottom connection [Available in DN100/DN150/DN 250]
R0	Centre, Back connection [Available in DN100/DN 150]
L0	Lower, Back connection
L1	Panel Front flange mounting, Lower Back connection
L2	Panel bracket mounting, Lower Back connection

B0

4. PROCESS CONNECTION

12N	1/4" NPT (M)	13N	3/8" NPT (M)
12B	1/4" BSP (M)	14N	1/2" NPT (M)
13B	3/8" BSP (M)	15N	3/4" NPT (M)
14B	1/2" BSP (M)	15B	3/4" BSP (M)
14M	M20 X 1.5 mm (M)		
14T	1/2" BSPT (M)		
13T	3/8" BSPT (M)		

Other thread sizes and standards are available on request.

14N

5. INGRESS PROTECTION

ER	IP 65	ET	IP 67
----	-------	----	-------

ER

6. EXECUTION

EB	Fillable [DN250 with Plexi glass - Option GB]
EG	Dampening liquid filled, glycerine
EH	Dampening liquid filled, silicon oil

Option EB, EG, EH available together with option GB / GC.

EB

7. OTHER OPTIONS

BA	Case & Ring in AISI 316 SS (B0)
BB	Case & Ring in AISI 316 SS (B1)
BC	Case & Ring in AISI 316 SS (B2)
BD	Case & Ring in AISI 316 SS (B3)
BG	Case & Ring in AISI 316 SS (R0)
BK	Case & Ring in AISI 316 SS (L0)
BL	Case & Ring in AISI 316 SS (L1)
BM	Case & Ring in AISI 316 SS (L2)
B0	2" Pipe / Yoke mounting, SS304
B01	2" Pipe / Yoke mounting, SS316
EM	Dampening screw, Monel
EN	Dampening screw, AISI 316 SS
EX	Internal overload stop
EY	Internal vacuum stop
EZ	Pointer stop on dial
GB	Plexi glass
GC	Shatterproof safety glass
GD	Toughened glass
GL	AISI 316 SS movement
GM	Dampened movement
GW	Maximum Reading pointer for DN100 & DN150 [Combined accuracy within CL 2.5]
GX	Knife edge pointer
MN	Monel wetted parts
OP	Over range protection 150% full scale (Confirm with Factory)
OS	Short over-pressure protection (Refer High Over pressure Range Table)
P8	Epoxy coating [Case & Ring]
RA	Rubber parts, Viton
RW	Vent plug, ON-OFF type
TA	5 - point calibration certificate
TC	Material test certificate 3.1
TE	CE certificate in accordance with PED 2014/68/EU
TI	IBR certification [DN150 & DN250]
TL	Helium leak test certificate
TN	Tested to NACE standards
TO	Certificate of for O ₂ service & Acetylene
TT	Certificate with NABL traceability
XA	Accuracy CL 0.5 / CL 0.6 of FS
XF	SS tag plate, AISI 304 SS
XG	SS tag plate, AISI 316 SS
XK	Electro polished [Case & Ring]
XN	Dial, Anti-parallax mirror band
XR	Dial, Custom designed
XT	Dial, Tag marking
R9	Receiver Gauge
G9	Freon Scale
N9	Ammonia Scale
TF	PMI test

XX

Ordering Example : P101-04-XXXX-B0-14N-ER-EA

COMPATIBLE ACCESSORIES

CODE	DESCRIPTION
A101	Gauge cock
A102	Gauge siphon
A201	Gauge snubber / Pulsation dampener
A202	Gauge saver / Overload protector
A203	Cooling tower

CODE	DESCRIPTION
DXXX	Diaphragm seals
VXXX	Needle valves
A304	Adaptors
M102	Two valve manifolds