

FEATURES

- Solid front with full blow back
- All stainless steel system
- External zero adjustment
- Dry / liquid filled

APPLICATION

- Oil & Gas applications
- High pressure applications
- Corrosive & Hazardous environments

Miniature Design



STANDARD PARAMETERS

Accuracy	:	CL 1.6
Ambient temperature	:	-40...+65°C (without dampening liquid)
	:	-20...+65°C (with dampening liquid)
Service temperature	:	300°C max.
Pressure limits	:	Steady pressure up to FS value
	:	Fluctuating pressure up to 90% of FS value
	:	Short time 1.3 x FS value for range up to 100 bar
	:	Short time 1.15 x FS value for range above 100 bar
Weld joints	:	TIG argon arc welding

MATERIAL OF CONSTRUCTION

Sensing element	:	Bourdon Tube (≤ 100 bar : C - type , > 100 bar : Helical)
Case & Ring material	:	AISI 304 SS (Bayonet type)
Bourdon tube & Shank	:	AISI 316L SS (Shank welded directly to case)
Movement mechanism	:	AISI 304 SS
Dial	:	Aluminum, black graduation on white background
Pointer	:	Fixed, aluminum, black powder coated
Gaskets & filling plug	:	Neoprene / NBR
Window	:	Shatterproof safety glass
Blow off disc	:	AISI 304 SS
Diaphragm	:	NBR

STANDARD SPECIFICATIONS

Dial size	:	DN63
Range	:	-1...1,000 bar
Mounting pattern	:	Direct, Bottom connection
Process connection	:	1/4" NPT (M) / 1/4" BSP (M)
Ingress protection	:	IP 65
Execution	:	Dry but fillable

STANDARD SPECIFICATIONS : DAMPENING LIQUID FILLED, GLYCERIN

Window	:	Shatterproof safety glass
Dampening liquid	:	Glycerin 99.7% [Service temperature up to 65°C]

TEMPERATURE EFFECT

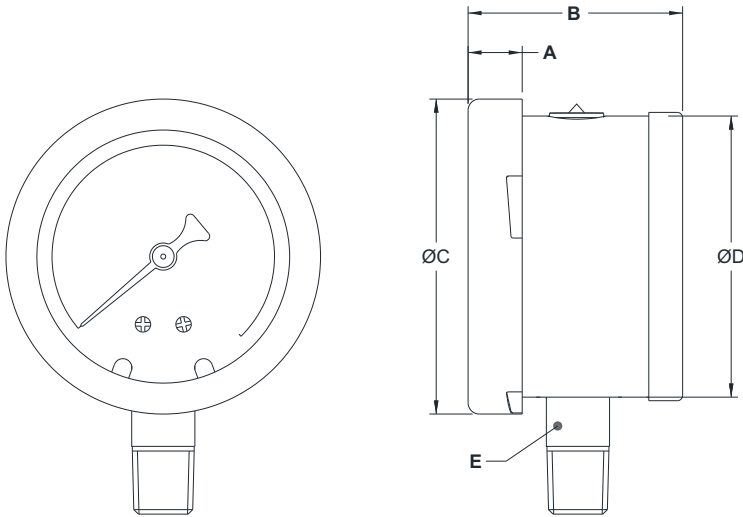
When temperature of the measuring system deviates from reference temperature (+20°C) max error $\pm 0.4\%$ / 10K of true scale value.

REFERENCE

EN 837-1

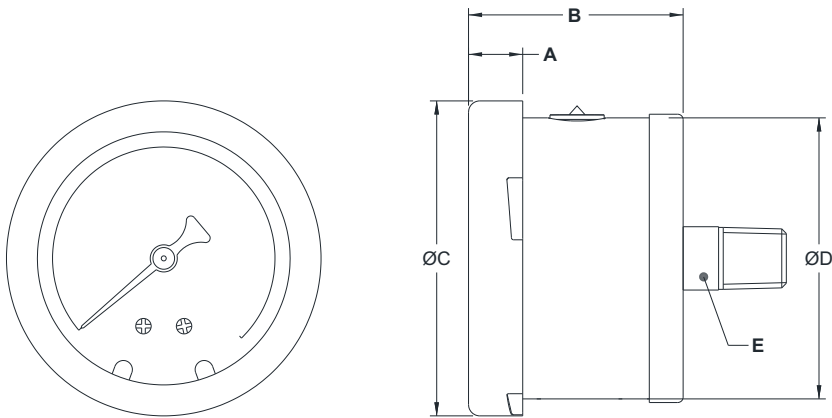
DIMENSIONAL DRAWING

Type B0



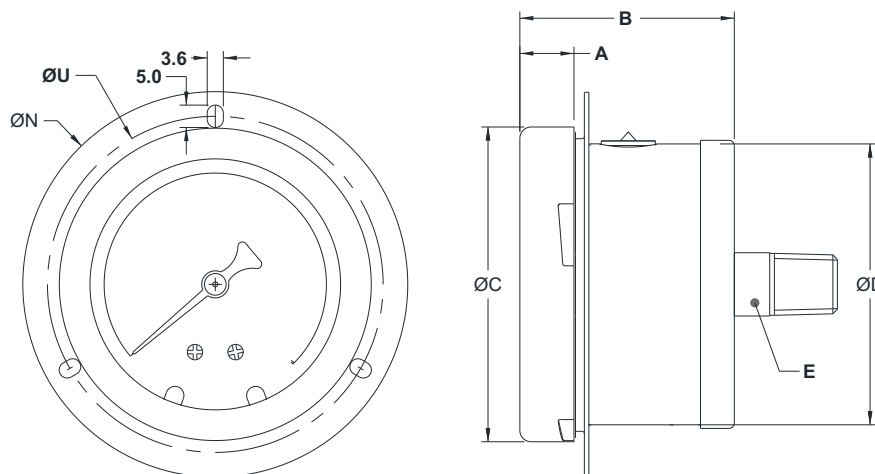
DN	A	B	ØC	ØD	E	Weight (grams)
63	12	46	69.7	62.2	SQ.14	320

Type R0



DN	A	B	ØC	ØD	E	Weight (grams)
63	12	46	69.7	62.2	SQ.14	320

Type R2



DN	A	B	ØC	ØD	E	ØN	ØU	Weight (grams)
63	12	46	69.7	62.5	SQ.14	86	75	240

All dimensions are in mm.

ORDERING CODES

1. DIAL SIZE

25 63 mm / 2½"

25

2. RANGE

XXX Refer "Range Table"

XXX

3. MOUNTING PATTERN

B0 Direct, Bottom connection
R0 Direct, Centre, Back connection
R2 Panel/Front flange mounting, Centre Back connection

B0

4. PROCESS CONNECTION

12N ¼" NPT (M)
12B ¼" BSP (M)

12N

5. INGRESS PROTECTION

ER IP 65
ES IP 66
ET IP 67

ER

7. OTHER OPTIONS

EA Dry
EB Dry but fillable
EG Dampening liquid filled, glycerine
EH Dampening liquid filled, silicon oil

XX

7. OTHER OPTIONS

BA Case & Ring in AISI 316 SS (B0)
BG Case & Ring in AISI 316 SS (R0)
BI Case & Ring in AISI 316 SS (R2)
EN Dampening screw, AISI 316 SS
EZ Pointer stop on dial
GW Maximum Reading pointer³
P8 Epoxy coating (Case & Ring)
RA Rubber parts, Viton
RW Vent plug, ON-OFF type
TA 5 - point calibration certificate
TL Helium leak testing
TM Material test certificate 2.2
TO Certification for Oxygen service
TP Performance test
XF SS tag plate, AISI 304 SS
XG SS tag plate, AISI 316 SS
XR Custom designed dial
XT Dial tag marking

XX

Ordering Example : P203-25-XXX-B0-12N-ER-EB

NOTES

1. For other connections, please contact factory.
2. Available in dry version only.