

FEATURES

- Fix / adjustable differential
- Field adjustable set point
- Flameproof to Gas groups
- Internal set point lock
- Rigid construction
- Scale provided

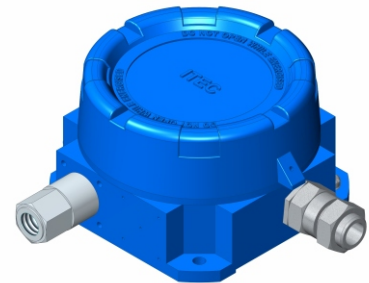
APPLICATION

- Marine applications
- Textile machineries
- Power & steel plants
- Furnace applications
- Oil & Gas, Refineries
- Petro-chemicals & Fertilizers
- Cement & Glass industries
- Railway engines & Turbines

APPROVALS



High Pressure



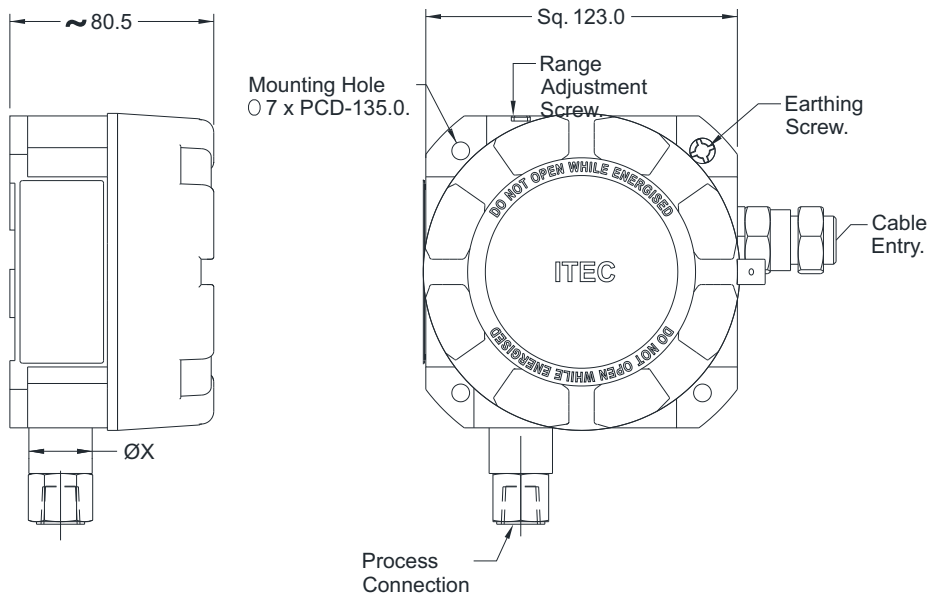
STANDARD SPECIFICATIONS

Repeatability	:	± 1 % F.S
Scale accuracy	:	± 3 % F.S
Measurement unit	:	bar
Range	:	Refer "Range Table"
Range adjustment	:	External
Differential	:	Fixed (Standard), Adjustable (Optional)
Mounting	:	Bottom / Panel
Enclosure material	:	Aluminum pressure die cast
Equipment rating	:	Ex d IIC T6 Gb (-10°C ≤ Ta ≤ +60°C) Zone 0, 1 & 2 as per IS/IEC 60079-1 : 2007
Ingress protection	:	IP 67
Sensing elements	:	SS 316 Piston
Switch	:	1 SPDT Snap action micro switch
Switch rating	:	15A,250 VAC / 0.2A,24 VDC (Standard)
Process connection	:	¼"BSP(F) x 2 Nos.
Maximum process temperature	:	150 °C
Ambient temperature	:	-10...60 °C
Cable entry	:	½" NPT Double compression, in brass
Set point	:	Between 20 to 80 % F.S for better performance
High voltage strength	:	0.5 to 0.6 KV between open contacts and 2 K V between contact and body

RANGE TABLE

CODE	RANGE "bar"
B19	10...100
B21	20...160
B24	25...250
B27	40...400

DIMENSIONAL DRAWING



Chamber Size	
Range	ØX
10 bar to 250 bar	25 mm

All dimensions are in mm

MICROSWITCH SPECIFICATION

DESCRIPTION	RATING		DIFFERENTIAL	TYPE	SWITCH CODE	
	AC	DC			1 No.	2 Nos.
Low deadband / differential	15A/250V, 2A/24V 0.2A/220V	15A/250V, 2A/24V 0.2A/220V	Fix	SPDT	M10	M20
High dead band / differential	15A/250V, 6A/24V 0.25A/220V	15A/250V, 5A/24V 0.03A/220V	Fix / Adjustable	SPDT	M11	M21
Gold plated switch	1A/250V	0.5A/28V	Fix	SPDT	M13	M23
Environmentally sealed silver contact	5A/28V	-	Fix	SPDT	M14	M24
Hermetically sealed silver contact	3A/28V	2A/24V	Fix	SPDT	M16	M26
Hermetically sealed gold contact	1A/125V	-	Fix	SPDT	M17	M27
High DC rating	10A/125V	6A/125V	Fix / Adjustable	SPDT	M18	M28
DPDT	10A/125V, 0.2A/250V	-	Fix / Adjustable	DPDT	M08	-

ORDERING CODES
1. RANGE

Refer "Range Table"

B19
2. CHAMBER MATERIAL
NF AISI 316 SS

NF
3. SENSING ELEMENT MATERIAL
MF AISI 316 SS

MF
4. SWITCHING DIFFERENTIAL
S4 Fixed, 2...5%
S5 Adjustable, 5...12.5%

S4
5. SET POINT
S8 On Raising
S9 On Falling

S8
6. MICROSWITCH TYPE

Refer "Microswitch Specification"

M10
7. CABLE ENTRY
C0 3/4" ET (F)
C1 1/2" NPT (F)

C1
8. PROCESS CONNECTION
02B 1/4" BSP (F)
12B 1/4" BSP (M)
13B 3/8" BSP (M)
14B 1/2" BSP (M)
02N 1/4" NPT (F)
12N 1/4" NPT (M)
14N 1/2" NPT (M)
04N 1/2" NPT (F)
A25 1.5" RF 150#
A26 1.5" RF 300#
A27 1.5" RF 600#
A31 2" RF 150#
A32 2" RF 300#
A33 2" RF 600#

02B
9. OTHER OPTIONS
TB Calibration Certificate
XF AISI 304 SS tag plate
XV Wall mounting bracket
XS Mounting bracket with 2" U-clamp
TC Material test certificate 3.1
KK Cable gland, double compression
 flameproof, Ni-plated brass
KL Cable gland, double compression
 flameproof, AISI 304 SS

TB
Ordering Example : S303-B19-NF-MF-S4-S8-M10-C1-02B-KK
COMPATIBLE ACCESSORIES

Diaphragm seal	Gauge cock	Needle Valves
Cooling tower	Snubber	Manifolds
Siphon		

NOTES:

1. Except "Standard" connection, other connections are given through adaptors.
2. The option "TC" covers only wetted parts.
3. Cable gland is available in other materials, contact factory.
4. Double Compression cable gland is a necessary option. Must to be chosen while ordering.