

FEATURES

- Inert gas filled expansion
- Filled versions
- Bi-metal compensation

APPLICATION

- Liquid & gaseous mediums
- Corrosive environments
- Oil & Gas applications
- Chemical & Petrochemical

Electric Contact, High Case Version



STANDARD PARAMETERS

Accuracy	: CL 1.0 (Class 1)
Ambient temperature	: 0...40°C max at case
Storage & Transport temperature	: -50...+70°C without liquid dampening
	: -20...+60°C with liquid dampening
Over range limits	: 110% full scale
Stem pressure rating	: 25 bar (Without thermowell)
Weld joints	: TIG argon arc welding

MATERIAL OF CONSTRUCTION

Sensing element	: Inert Gas Filled sensor bulb
Case & Ring material	: AISI 304 SS
Stem & Process connection material	: AISI 316 SS
Dial	: Aluminum, black graduation on white background
Pointer	: Micrometer zero adjustable, aluminum, black powder coated
Gaskets	: Neoprene
Window	: Shatterproof safety glass

STANDARD SPECIFICATIONS

Dial size	: DN100
Range	: 0...100°C
Mounting pattern	: Direct, Bottom connection
Stem size	: 6.0 mm
Ingress protection	: IP 65
Stem length	: 300 mm
Assembly	: Direct
Process connection type	: Adjustable connection
Process connection	: 1/2" NPT (M)
Electric contact	: Double; Break contact + Make contact
Electrical termination	: 4 pin DIN connector

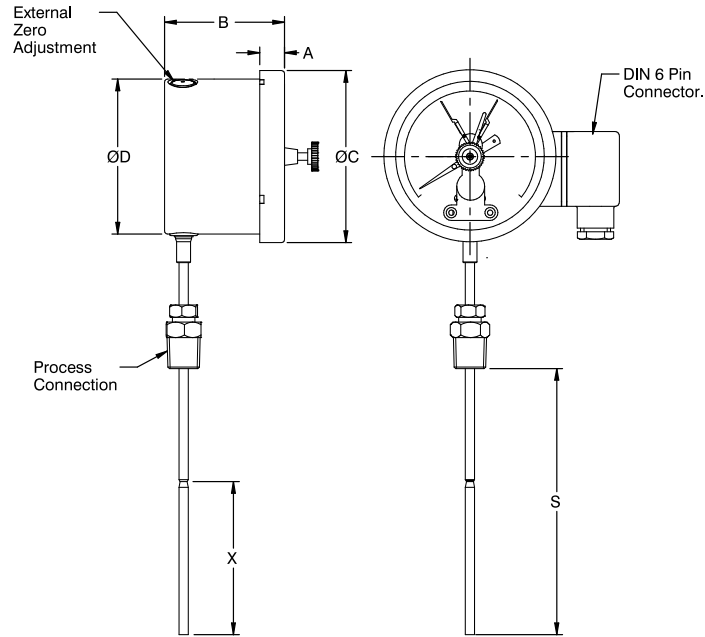
STANDARD SPECIFICATIONS : DAMPENING LIQUID FILLED, DIELECTRIC OIL

Gaskets & Filling plugs	: NBR
Dampening liquids	: Dielectric Oil

REFERENCE

DIMENSIONAL DRAWING

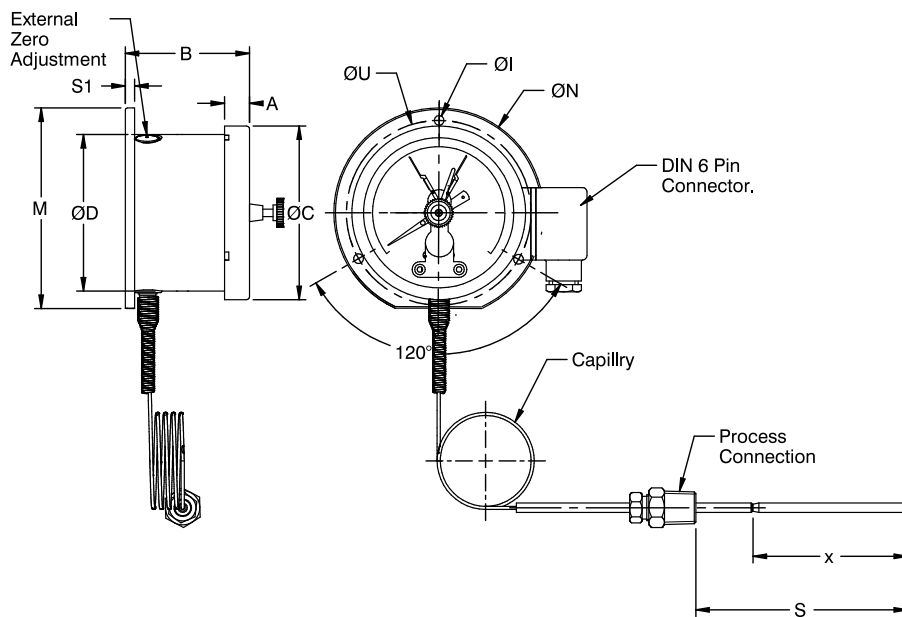
Mounting Pattern: B0



DN	A	B	ØC	ØD	S	X
100	12	91	111	100	*	**
150	15	91	161	149	*	**

* As per customer requirement.
 ** Refer technical sheet - Temperature Gauges.

Mounting Pattern: B1

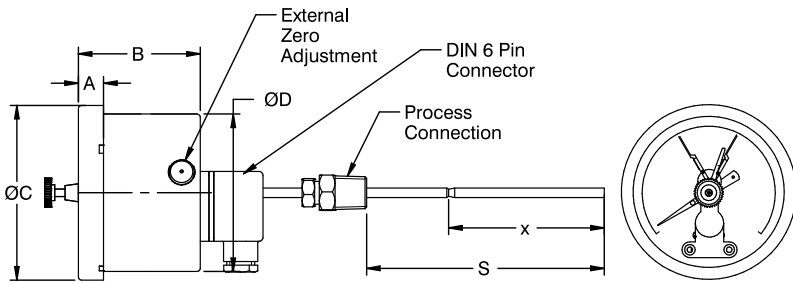


DN	A	B	ØC	ØD	ØI	ØN	M	S1	ØU	S	X
100	12	52	111	100	6	134	128	6	118	*	**
150	15	52	161	149	6	186	172.4	6	168	*	**

* As per customer requirement.
 ** Refer technical sheet - Temperature Gauges.

DIMENSIONAL DRAWING

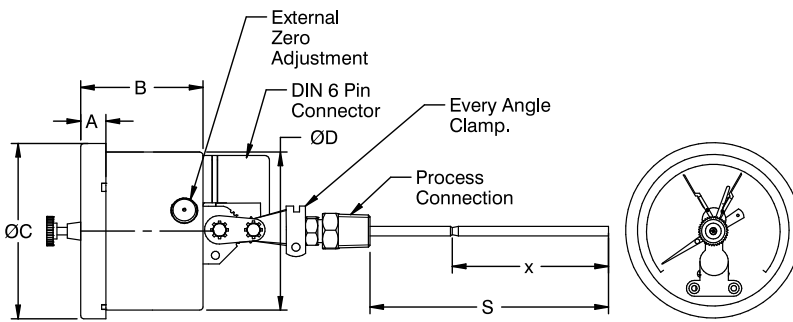
Mounting Pattern: R0



DN	A	B	ØC	ØD	S	X
150	15	91	161	149	*	**

* As per customer requirement.
 ** Refer technical sheet - Temperature Gauges.

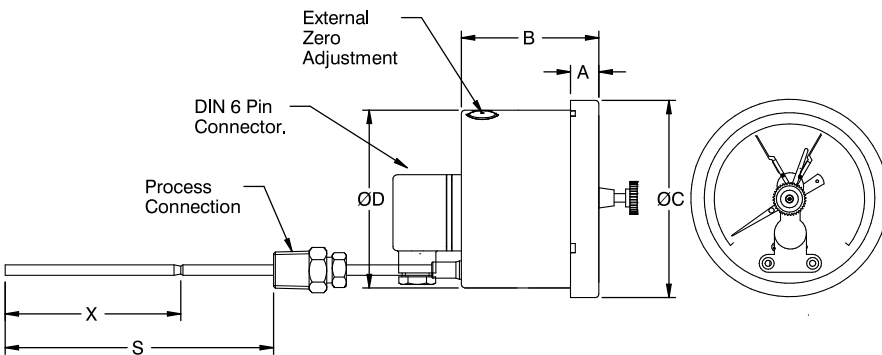
Mounting Pattern: R1



DN	A	B	ØC	ØD	S	X
150	15	91	161	149	*	**

* As per customer requirement.
 ** Refer technical sheet - Temperature Gauges.

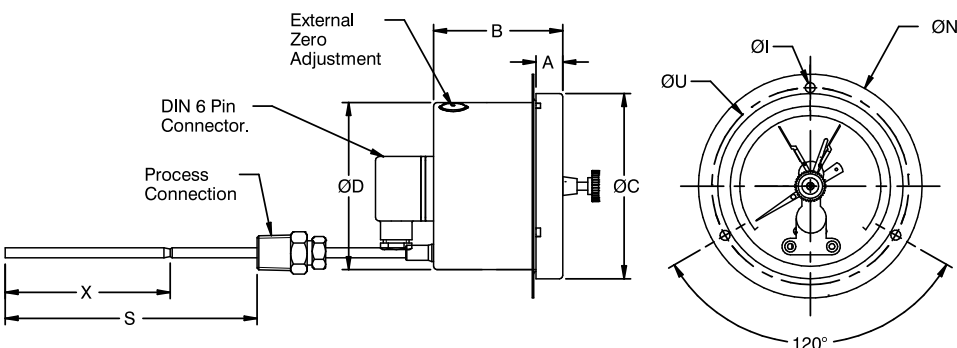
Mounting Pattern: L0



DN	A	B	ØC	ØD	S	X
150	15	91	161	149	*	**

* As per customer requirement.
 ** Refer technical sheet - Temperature Gauges.

Mounting Pattern: L1



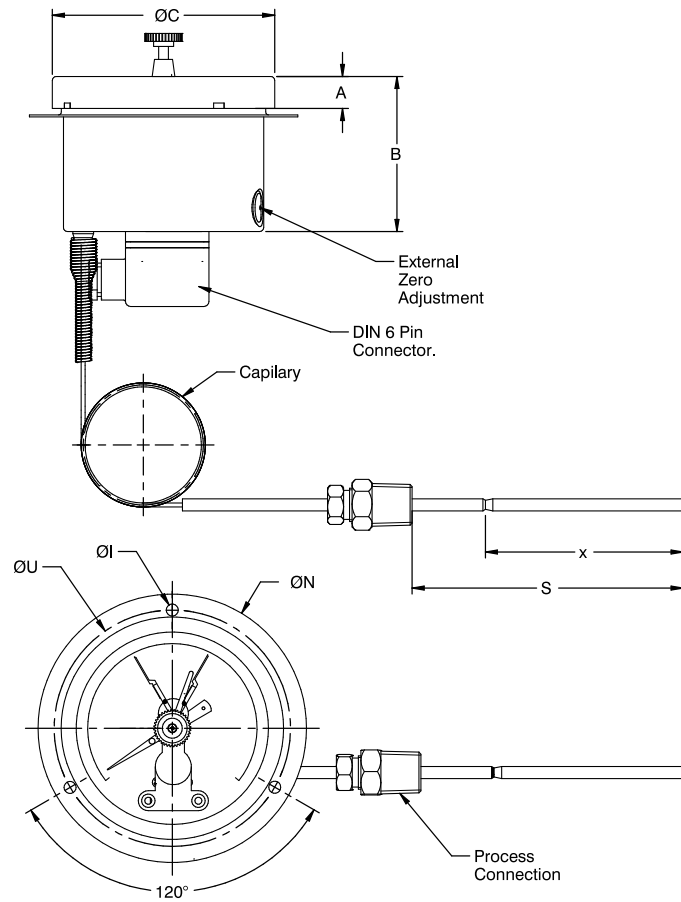
DN	A	B	ØC	ØD	ØI	ØN	ØU	S	X
150	15	48	161	149	6	186	168	*	**

* As per customer requirement.
 ** Refer technical sheet - Temperature Gauges.

All dimensions are in mm.

DIMENSIONAL DRAWING

Mounting Pattern: L1



DN	A	B	ØC	ØD	ØI	ØN	ØU	S	X
150	15	48	161	149	6	186	168	*	**

* As per customer requirement.

** Refer technical sheet - Temperature Gauges.

All dimensions are in mm.

RANGE TABLE

RANGE	" °C "	RANGE	" °C "	RANGE	" °C "
-20...+40	C01	-50...+100	C11	0...250	C21
-20...+60	C02	-100...+60	C12	0...300	C22
-20...+80	C03	0...50	C13	0...400	C23
-20...+100	C04	0...60	C14	0...500	C24
-20...+120	C05	0...80	C15	0...600	C25
-20...+180	C06	0...100	C16	0...650	C26
-30...+50	C07	0...120	C17	50...650	C27
-30...+70	C08	0...150	C18	100...600	C28
-40...+40	C09	0...160	C19	100...700	C29
-40...+60	C10	0...200	C20		

NOTES

- For other ranges, please contact factory.
- Equivalent scales available in °F, °C/°F, °F/°C.

ORDERING CODES

1. DIAL SIZE		04	11. ARMOUR		XX		
04	100 mm / 4"		06	150 mm / 6"		OX	AISI 304SS
2. RANGE		C16			XXXXX		
XXX	Refer "Range Table"					OZ	PVC (Ambient max. 60°C)
3. MOUNTING PATTERN		B0	12. REMOTE MOUNTING LENGTH		XXXXX		
B0	Direct, Bottom connection		XXXXX	250 mm up to 10,000 mm			
B1	Wall/Surface/Projection mounting, Bottom connection	M60	XXXXX	10,000 mm up to 25,000 mm	RS		
B2	2" Pipe/Yoke mounting, Bottom connection		13. SWITCH CATEGORY			RS	
R0	Centre Back connection	ER			CD1		
R1	Every Angle mounting, Centre Back connection		14. ELECTRIC CONTACT			CD1	
L0	Lower, Back connection	300	CD1	Break contact (1NC)	XX		
L1	Panel/Front flange mounting, Lower Back connection		15. OTHER OPTIONS			XX	
L2	Panel/bracket mounting, Lower Back connection	KW	BA	Case & Ring in AISI 316 SS (B0)	XX		
4. STEM DIAMETER			14N	BB		Case & Ring in AISI 316 SS (B1)	XX
M60	6.0 mm	I14		1/4" (6.35 mm)	BC	Case & Ring in AISI 316 SS (B2)	
M80	8.0 mm	M95	9.5 mm	BG	Case & Ring in AISI 316 SS (R0)		
M10	10 mm	M12	12 mm	BH	Case & Ring in AISI 316 SS (R1)		
5. INGRESS PROTECTION		B8			XX		
ER	IP 65		ES	IP 66		BK	Case & Ring in AISI 316 SS (L0)
ET	IP 67	XX			XX		
6. STEM LENGTH			15. OTHER OPTIONS			XX	
XXXX	Up to 2000 mm (Confirm factory before ordering)			BL	Case & Ring in AISI 316 SS (L1)		
7. PROCESS CONNECTION TYPE		B8			XX		
KX	Fixed connection					BM	Case & Ring in AISI 316 SS (L2)
KW	Adjustable connection	XX			XX		
BW	Swivel / Revolving connection		15. OTHER OPTIONS			XX	
8. PROCESS CONNECTION		XX			XX		
14N	1/2" NPT (M)		14B	1/2" BSP (M)		E9	Helium gas filled system
12N	1/4" NPT (M) ⁴	12B	1/4" BSP (M) ⁴	RA	Rubber parts, Viton		
14M	M20 X 1.5 mm (M)	13B	3/8" BSP (M) ⁵	RN	Rubber parts, NBR		
9. ASSEMBLY		XX			XX		
B8	Direct (Stem type)					TA	5 - point factory calibration certificate
B9	Remote (Capillary type)			TM	Material test certificate 2.2		
10. CAPILLARY		XX			XX		
OU	AISI 304SS		OV	AISI 316 SS		XF	SS tag plate, AISI 304 SS
		XX			XX		
						XG	SS tag plate, AISI 316 SS
		XX			XX		
						XT	Dial tag marking
		XX			XX		
						XR	Custom designed dial
		XX			XX		
						G6	6 pin, M20x1.5mm connector

Ordering Example : T703-04-C16-B0-M60-ER-300-KW-14N-B8-XX-XX-XXXXX-XX-CD1

NOTES

- 1/4" connections are available up to 1/4" (6.35 mm) stem diameters only.
- 3/8" connections are available up to 10 mm stem diameters only.
- Economic contacts & Precision contact are available in Electric contact types CS1...CS6 & CD1...CD6 respectively.
- ATEX / CE approved contacts are available in Electric contact type CI1...CI6.