

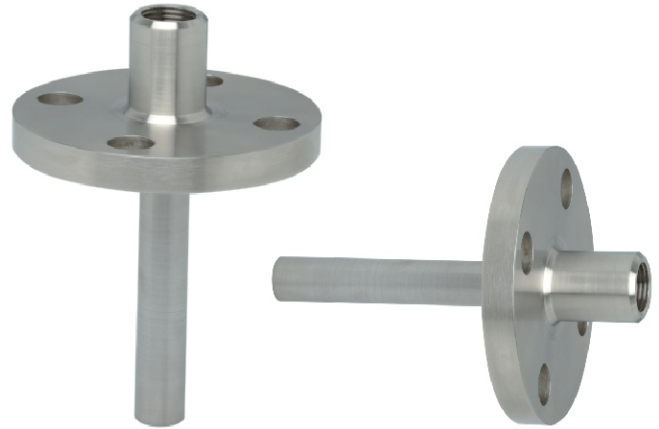
FEATURES

- Economical version
- Fabricated from pipe
- Flanged process connection

APPLICATION

- HVAC, Air filters & utilities
- Tanks & vessels

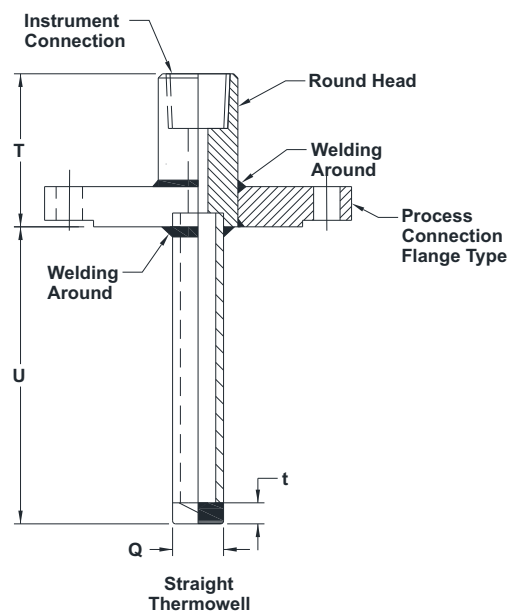
Fabricated



STANDARD SPECIFICATIONS

Shank form	:	Straight
Flange material	:	AISI 316 SS
Well material	:	AISI 316 SS
Instrument connection	:	1/2" NPT (F) / 1/2" BSP (F)
Well Tubes	:	Pipe 1/2" Sch 40
Lag extension	:	50 mm
Immersion length	:	100 mm
Tip thickness	:	5 mm
Process connection	:	Flange as per ANSI B16.5, EN 1092-1, JIS, etc.
Flange facing type	:	Raised face
Head type	:	Round
Head size	:	27 mm

DIMENSIONAL DRAWING



ORDERING CODES

1. SHANK FORM

S Straight

S

2. FLANGE MATERIAL

MB Carbon Steel / ASTM A105
MC AISI 304SS **ME** AISI 310 SS
MF AISI 316 SS **MG** AISI 316L SS
MI AISI 321 SS **M6** AISI 446 SS
MQ Inconel 600 **MR** Inconel 625
MS Inconel 800 **MT** Inconel 825
MO Hastelloy C-276

MB

3. WELL MATERIAL

MB Carbon Steel / ASTM A105
MC AISI 304SS **ME** AISI 310 SS
MF AISI 316 SS **MG** AISI 316L SS
MI AISI 321 SS **M6** AISI 446 SS
MQ Inconel 600 **MR** Inconel 625
MS Inconel 800 **MT** Inconel 825
MO Hastelloy C-276

MB

4. INSTRUMENT CONNECTION

02N 1/4" NPT (F) **04N** 1/2" NPT (F)
05N 3/4" NPT (F) **06N** 1" NPT (F)
02B 1/4" BSP (F) **04B** 1/2" BSP (F)
05B 3/4" BSP (F) **06B** 1" BSP (F)
04M M20 x 1.5 mm (F)

02N

5. PROCESS CONNECTION

XXX Refer Flange Table for the codes

XXX

6. FLANGE FACING

F Flat Face
J Ring-Type Joint
R Raised Face

F

7. HEAD TYPE

R Round

R

8. HEAD SIZE

XX Mention in 'mm'

27

9. LAG EXTENSION ("T")

XXX 35 mm up to 250 mm

50

10. WELL PIPES

U3 Pipe 3/8" Sch 40
U4 Pipe 3/8" Sch 80
U5 Pipe 1/2" Sch 40
U6 Pipe 1/2" Sch 80
U7 Pipe 3/4" Sch 40
U8 Pipe 3/4" Sch 80
UA Pipe 1/4" Sch 40
UB Pipe 1/4" Sch 80

U5

OR

10. WELL TUBES

U1 Tube Ø10 x 1.5 mm THK
UL Tube Ø12 x 2.5 mm THK
UM Tube Ø14 x 2.5 mm THK
UN Tube Ø12 x 1.0 mm THK
UO Tube Ø14 x 1.0 mm THK
UP Tube Ø16 x 2.0 mm THK

11. IMMERSION LENGTH ("U")

XXXX 50 mm up to 1000 mm

100

12. TIP THICKNESS ("t")

M 5 mm
N 6.35 mm (1/4")
O 10 mm

M

13. COATING ON WELL & FLANGE

PD PTFE
PE Silicon carbide
PG Tungsten carbide
PH Zirconium oxide
PI Stellite

XX

14. COATING ON WELL & FLANGE

PS Hastelloy C-276
PV Inconel 600
PW Titanium
PX Tantalum

XX

15. OTHER OPTIONS

XI Plug & chain in SS
XL Marking by laser
XM Marking by engraving
TC Material test certificate 3.1
TD Dye penetration test
TH Hydro test certificate
TM Material test certificate 2.2
TP Performance test certificate

XM

Ordering Example : W103-S-MB-MB-02N-XXX-F-R-27-50-U5-100-M-XM

NOTES:

- Other diameters, connections are available, please contact factory for details.
- Please refer "Technical Guidance Sheet" for the proper selection of connections according to Head size and Outer diameter of the well.